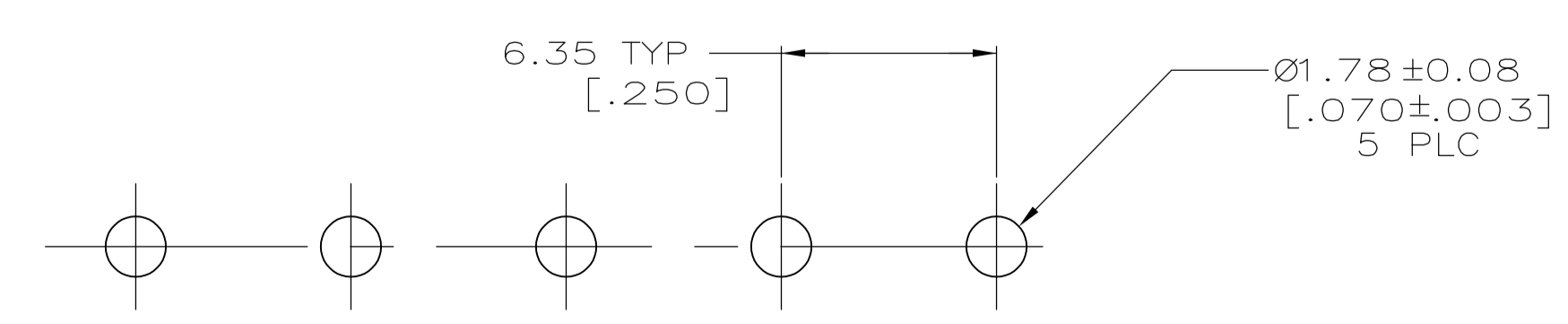
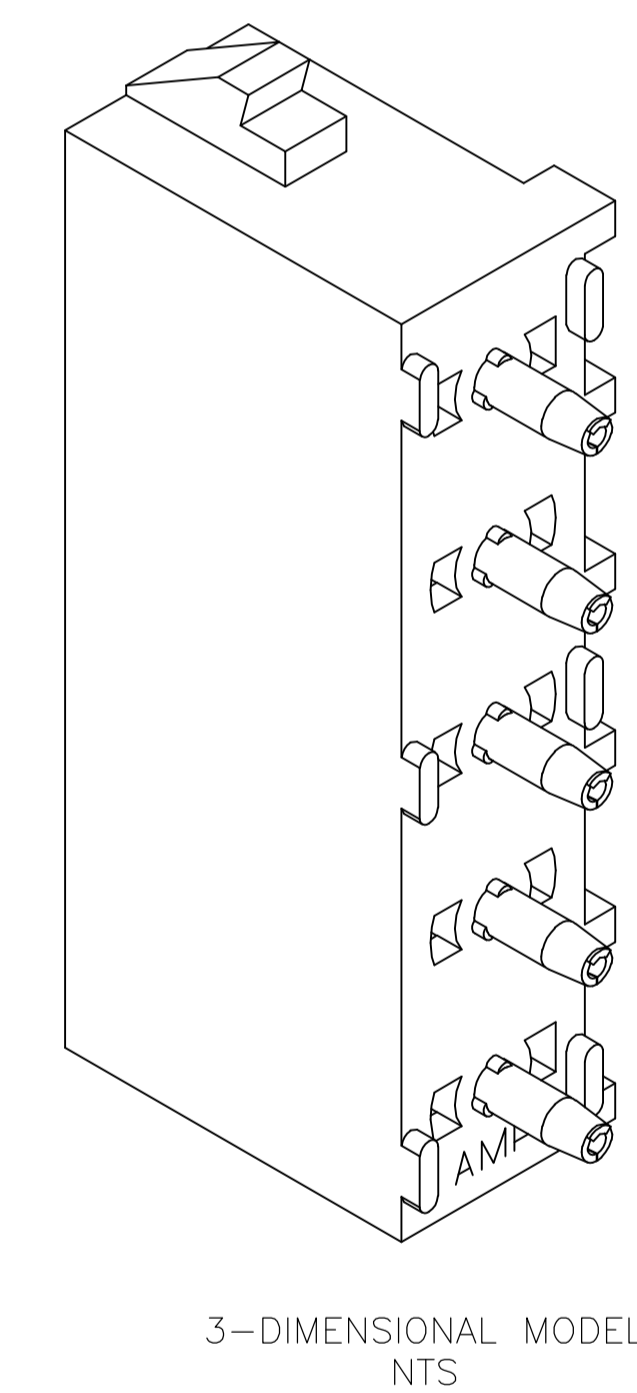
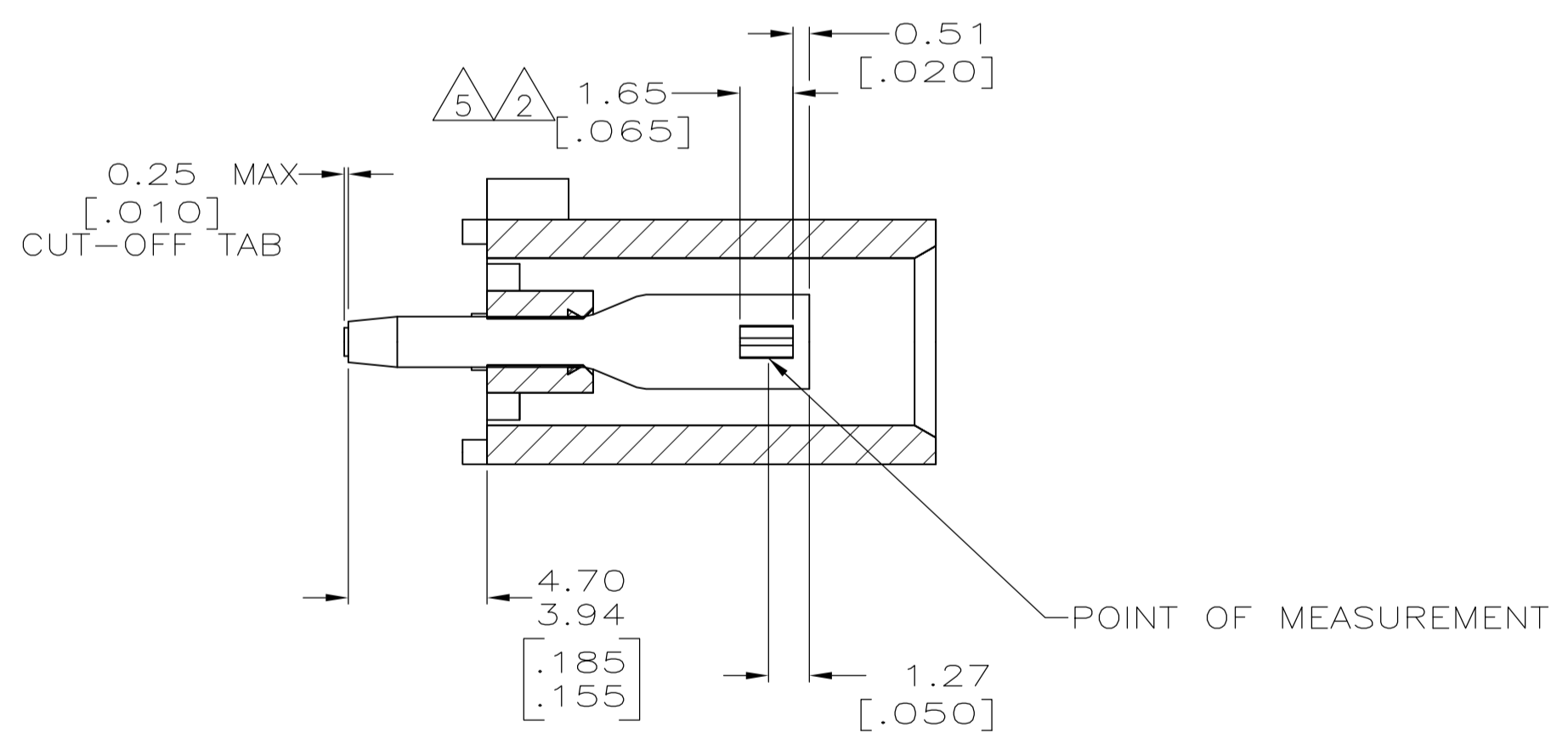


- 1 PARTS COMPLY TO AMP SOLDERABILITY SPECIFICATION 109-11-3.
- △2 CONTACT IS PLATED OVERALL WITH 0.00127 [.000050] NICKEL, THEN 0.00076 [.000030] GOLD OVER CONTACT LENGTH INDICATED AND MATTE TIN LEAD ON SOLDER TAIL END.
- △3 CIRCUIT IDENTIFICATION CHARACTERS ARE ADJACENT TO THE INDICATED CAVITIES, BUT LOCATION AND ORIENTATION MAY DIFFER FROM PRINT.
- 4 DIMENSIONS IN BRACKETS ARE IN INCHES.
- △5 CONTACT IS PLATED OVERALL WITH 0.00127 [.000050] NICKEL, THEN 0.00076 [.000030] GOLD OVER CONTACT LENGTH INDICATED AND MATTE TIN ON SOLDER TAIL END.
- △7 SUPERSEDED BY 640901-3



RECOMMENDED MOUNTING HOLE PATTERN FOR 1.57 [.062] THICK P.C. BOARD

OBSOLETE	PHOSPHOR BRONZE, PRE-TIN	NYLON,UL94V-0, BLUE	1-640901-4
OBSOLETE	PHOSPHOR BRONZE, PRE-TIN	NYLON,UL94V-0, RED	1-640901-2
△7	PHOSPHOR BRONZE, GOLD △5	NYLON,UL94V-0, NATURAL	640901-3
	PHOSPHOR BRONZE, GOLD △2	NYLON,UL94V-0, NATURAL	640901-2
	PHOSPHOR BRONZE, PRE-TIN	NYLON,UL94V-0, NATURAL	640901-1
CONTACT MATERIAL AND FINISH		HOUSING MATERIAL	PART NUMBER

THIS DRAWING IS A CONTROLLED DOCUMENT.		DIN R LEWIS 10-05-98	TE Connectivity
DIMENSIONS: mm [INCHES]		CHK R SWING 10-05-98	
TOLERANCES UNLESS OTHERWISE SPECIFIED:		APVD M TRULL 10-05-98	NAME
0 PLC ± -			SOCKET HEADER ASSEMBLY, 5 CIRCUIT UNIVERSAL MATE-N-LOK™
1 PLC ± -			APPLICATION SPEC
2 PLC ± 0.20[.008]			SIZE
3 PLC ± -			WEIGHT
4 PLC ± -			SCALE
ANGLES ± 0°30'			SHEET
MATERIAL SEE TABLE	FINISH SEE TABLE	RESTRICTED TO	REV
		A1 00779 C=640901	1 OF 1
		CUSTOMER DRAWING	5:1